

12539JA for Condenser

125[□]X39^L

DC Axial Fan



General Specifications

Motor Protection	Auto Restart
Insulation Resistance	10M Ω or over with a DC500V Megger
Dielectric Withstand Voltage	: AC700V 1s
Allowable Ambient Temperature Range	: -10 $^{\circ}$ C ~ +70 $^{\circ}$ C (Operating) -40 $^{\circ}$ C ~ +70 $^{\circ}$ C (Storage) non-condensing environment

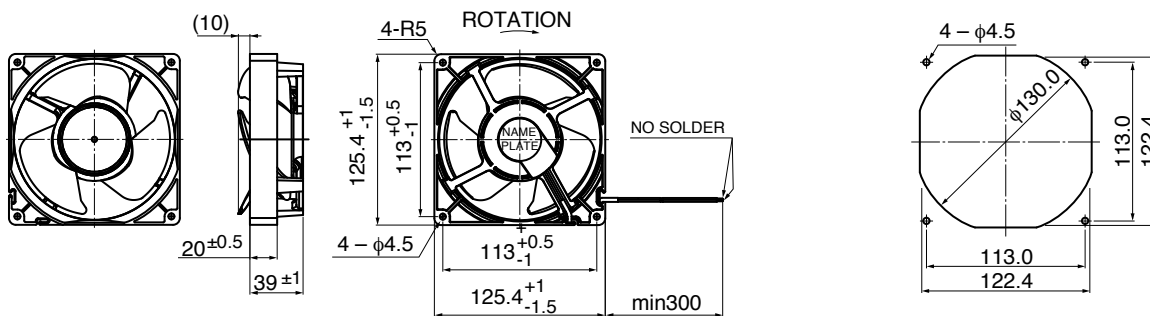
Outline

Expected Life ※ Failure Rate: 10% (L10 Life)

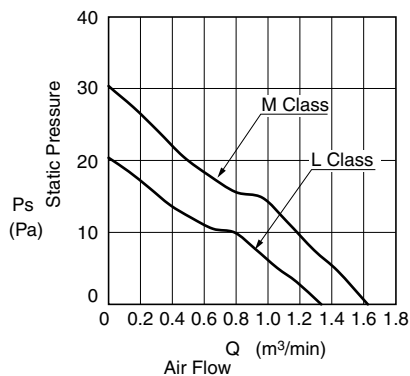
25 $^{\circ}$ C 100,000 (Hours)

Panel Out-cuts

(Inlet Side)



Characteristic Curves



Material

Casing	: Plastic (Black) UL94V-0
Impeller	: Plastic (Black) UL94V-0
Bearing	: Ball Bearing
Lead Wire	: UL1007 AWG26 + : Red, - : Black

Specifications

Model	Product No.	Rating Voltage	Operating Voltage	Current	Input Power	Speed	Max. Air Flow		Max. Static Pressure		Noise	Mass
		(V)	(V)				(m ³ /min) ^{*1}	(CFM) ^{*1}	(Pa)	(In H ₂ O)		
12539JA-12L-BA-	00	12	7.0 ~ 13.8	0.06	0.72	1600	1.33	47.0	20.4	0.08	22.0	240
12539JA-12M-BA-	00			0.09	1.08	1950	1.62	57.3	30.2	0.12	26.5	

Rotation: Clockwise as seen from the label side
Airflow Outlet: Label side

*1: Average Values in Free Air